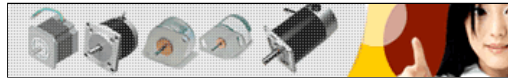


- Home
- About us
- Showroom



Hybrid Stepper Motors

2/4 Phase

- 8H2A
- 11H2A
- 14H2A
- 14H2M
- 14H2K
- 14H2R
- 16H2M
- 16H2A
- 17H2M/K
- 17H2A
- 17H2E
- 23H2A
- 23H2M
- 23H2B
- 24H2A
- 34H2A
- 34H2B
- 34H2Y
- 34H2M
- 43H2A
- Precision Linear Motor
- 3 Phase**
- 17H3A
- 23H3A
- 24H3A
- 34H3A
- 5 Phase**
- 16H5C
- 24H5A
- 34H5B

➤ 56JBX-57ZYN Series Planetary Gear Motor



Action



<< BACK

[Print This Page](#)

[Email This Page](#)

[Save to Favorites](#)

MEZ Stepper Servo

➤ MEZ Motors ➤ MEZ Drives

AC Servo Motors

- AS40
- AS60
- AS80
- AS90
- AS100
- AS110
- AS130
- AS150
- AS180

Products Name: 56JBX-57ZYN Planet Gear Motor

Model: 56JBX-57ZYN

Details

型号 Model	减速比 Ratio		1/4.3	1/6.75	1/18	1/29	1/35	Rated Voltage (VDC)	No-Load Current (mA)	Loaded Current (A)
	转矩 Kg.cm	转速 r/min								
56JBX-57ZYN001J1000	11	18	230	150	55	35	28	24	≤300	≤2.2
56JBX-57ZYN001J2000	465	290	110	70	55	24	≤400	≤3.7		
56JBX-57ZYN001J3000	700	440	166	103	84	24	≤500	≤5.7		
56JBX-57ZYN001J4000	930	580	220	138	110	24	≤800	≤7.8		

DC Gear Motors

- 37ZYJ-36ZY
- 37ZYJ-528
- 1-025-050
- 56JBX-57ZYN Planetary
- 56JBX-57BLDC Planetary

型号 Model	减速比 Ratio		1/4.3	1/6.75	1/18	1/29	1/35	Rated Voltage (VDC)	No-Load Current (mA)	Loaded Current (A)
	转矩 Kg.cm	转速 r/min								
56JBX-57ZYN002J1000	7	12	190	150	55	35	28	24	≤300	≤1.5
56JBX-57ZYN002J2000	280	220	110	70	42	24	≤400	≤2.5		
56JBX-57ZYN002J3000	380	290	166	103	55	24	≤500	≤3.8		
56JBX-57ZYN002J4000	570	440	220	138	84	24	≤800	≤5.2		

Drivers & Accessories

- Encoders
- Micro-Stepping Drivers

➤ Solution

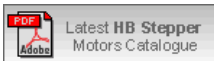
➤ Support

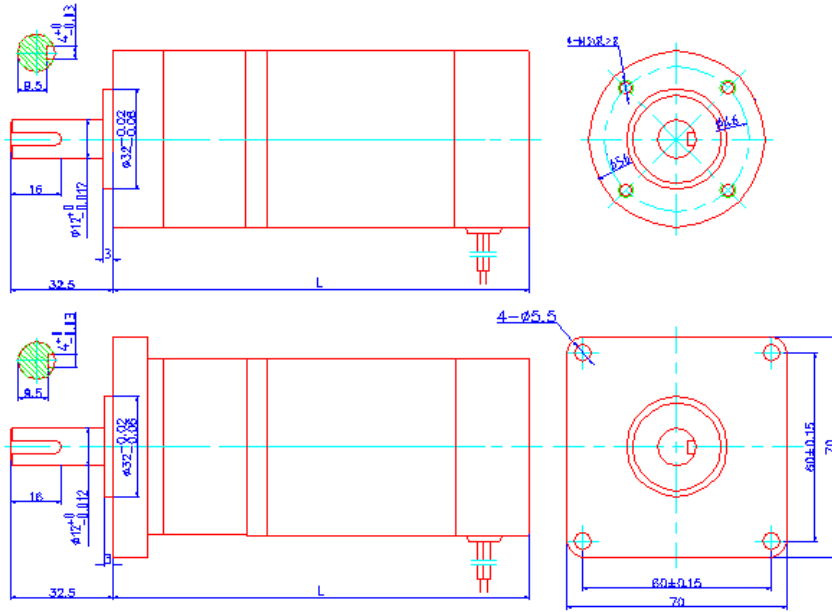
- Stepper Motor Basics
- Theory
- Products Code rule
- Guestbook
- Unipolar & Bipolar
- How to select drivers
- Customized Solutions

Reduction Ratio	L(mm)(57ZYN001)	L(mm)(57ZYN002)
1/4.3 1/6.75	143	133
1/18 1/29 1/35	162	152

➤ Feedback

➤ Contact us





Copyright © 2006-2020 All Right Reserved

MotionKing Motor Industry Co.,Ltd.
Your Excellent Partner of Stepper Motors & Servo Motors from China.

Tel: +86-519-8988 6261
Fax: +86-519-8515 1172
E-mail: sales@MotionKing.com